

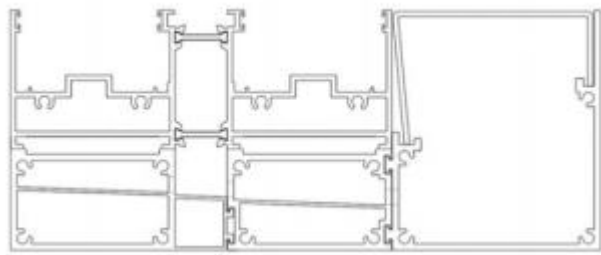


BUILDING & HARDWARE DISTRIBUTOR IN AUSTRALIA

- (+61) 45 983 1963
- 86A Southern Cross Circle, Ocean Reef
- Perth Western Australia
- info@bhdaustralia.com

WWW.BHDAUSTRALIA.COM





SP146

SLIM SLIDING
DOOR SPECIAL LINE

SP146 series with 2cm thickness simplification profile and with a large view. Abandon the traditional big and heavy sliding door frame, the minimalist push and pull is more close to the natural environment nearly. Higher glass to aluminum frame ratio, heat insulation performance system effectively improved. Hidden under the rail- with roller bearing, single panel load up to 500kgs. It can be make 3000mm by 3000mm per panel.



TECHNICAL DATA

Visible width (Outside)	Frame/Sash	146mm
Profile Depth	Frame/Sash	Refer to detail drawing
Depth of glass groove		
Glass Thickness		

PERFORMANCE

Thermal Insulation	$U \leq 2.4$
Acoustic Performance	W/m2K
Air Tightness	$\leq 45\text{dB}$
Wind Load Resistance	0.4
Water Penetration	$\geq 0.5\text{Kpa}$
Security Level	500 pa





SP86
BULLET
PROOF
SPECIAL LINE

SP86 bullet proof system meet UL752 standard and Florida USA product building approval. The special design with reinforce steel plate and bullet proof glass. Which is popular use for hurricana area and public like embassy, army area and bank.



SP100
HINGE DOOR
COMMERCIAL

SP100 hinge door is classic model. It can be high threshold or low threshold or without threshold. Stainless steel handle for option. Normally use for commerical area such as shop entrance door. It aslo can be escape door.

TECHNICAL DATA

Visible width	Frame/Sash	Refer to detail
(Outside) Profile	Frame/Sash	drawing Refer to
Depth		detail drawing
Depth of glass groove		
Glass Thickness		

PERFORMANCE

Thermal Insulation	$U \leq 1.1$
Acoustic Performance	W/m2K
Air Tightness	$\leq 45\text{dB}$
Wind Load Resistance	0.4
Water Penetration	$\geq 0.5\text{Kpa}$
Security Level	900 pa

TECHNICAL DATA

Visible width	Frame/Sash	Refer to detail
(Outside) Profile	Frame/Sash	drawing Refer to
Depth		detail drawing
Depth of glass groove		
Glass Thickness		

PERFORMANCE

Thermal Insulation	$U \leq 3.4$
Acoustic Performance	W/m2K
Air Tightness	$\leq 45\text{dB}$
Wind Load Resistance	0.4
Water Penetration	$\geq 0.5\text{Kpa}$
Security Level	600 pa



SP100
SLIDING DOOR
COMMERCIAL



SP100 Sliding door system, it can be equipped with triple glass to get better sound insulation and energy-saving. This system is equipped with heavy duty and it can be load max. 300kg weight. It could create smoother and more reliable operation experience for users during the repeated opening and closing. Available with stainless steel mesh and could meet 600pa water penetration. Popular used in Australia market.

TECHNICAL DATA

Visible width (Outside)	Frame/Sash	50mm
Profile Depth	Frame/Sash	130mm
Depth of glass groove		16mm
Glass Thickness		12-30mm

PERFORMANCE

Thermal Insulation	$U \leq 3.8$
Acoustic Performance	W/m ² K
Air Tightness	$\leq 42\text{dB}$
Wind Load Resistance	0.4
Water Penetration	$\geq 0.5\text{Kpa}$
Security Level	600 pa

SP150

STACKER DOOR
COMMERCIAL



SP150 stacker door system, it could be with triple glass to realize better sound insulation and energy-saving. This system is with heavy duty. It could create smoother and more reliable operation experience for users during the repeated opening and closing. Available with stainless steel mesh and could meet 600 pa water penetration. Popular used in Australia Market.



TECHNICAL DATA

Visible width (Outside)	Frame/Sash	50mm
Profile Depth	Frame/Sash	150mm
Depth of glass groove		16mm
Glass Thickness		12-31mm

PERFORMANCE

Thermal Insulation	$U \leq 3.4$
Acoustic Performance	W/m ² K
Air Tightness	$\leq 45\text{dB}$
Wind Load Resistance	0.4
Water Penetration	$\geq 0.5\text{Kpa}$
Security Level	600 pa





SP146
SLIM SLIDING
DOOR SPECIAL LINE



SP115
BI-FOLDING
DOOR
COMMERCIAL

SP115 Bi-folding door could meet design of 220,330,431,550,541,633, 651,743 and so on. Also could with retractor flyscreen. It can be make 3000mm high with heavy duty hinge and with stright sash to improve aesthetics sash.

TECHNIICAL DATA

Visible width (Outside)	Frame/Sash	30mm
Profile Depth	Frame/Sash	115mm
Depth of glass groove		22mm
Glass Thickness		21-42mm

PERFORMANCE

Thermal Insulation	$U \leq 3.4$
Acoustic Performance	W/m2K
Air Tightness	$\leq 45\text{dB}$
Wind Load Resistance	0.4
Water Penetration	$\geq 0.5\text{Kpa}$
Security Level	600 pa



SP100
 AWNING
 WINDOW
 COMMERCIAL

SP100 Chain winder window could be equipped with double or triple glass to realize better sound insulation and energy-saving. This system is with Australia local 125mm limited opening restrictor. Available with stainless steel mesh or flyscreen. And with Australia standard and with 900pa water penetration and popular used in Australia market.

TECHNICAL DATA

Visible width (Outside)	Frame/Sash	50mm
Profile Depth	Frame/Sash	100mm
Depth of glass groove		20mm
Glass Thickness		12-31mm

PERFORMANCE

Thermal Insulation	$U \leq 3.4$
Acoustic Performance	W/m ² K
Air Tightness	$\leq 45\text{dB}$
Wind Load Resistance	0.4
Water Penetration	$\geq 0.5\text{Kpa}$
Security Level	900 pa





SP130

GLASS LOUVER
COMMERCIAL

SP130 louver is popular for Australia market and which could be with the flyscreen and also Stainless steel mesh. Available for 6mm glass and 6.38mm laminated glass. And which pass 150 pa water penetration for the AS2047 Standard.



TECHNIICAL DATA

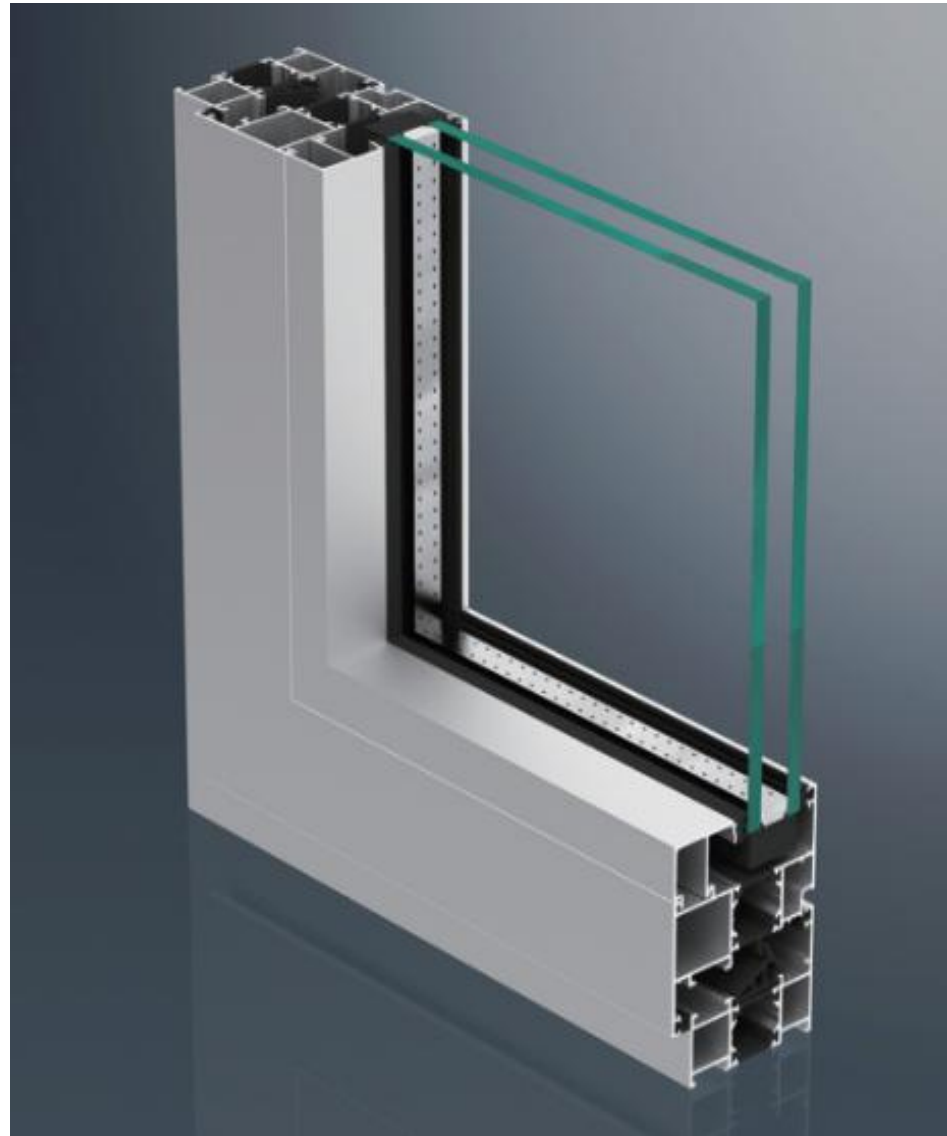
Visible width (Outside)	Frame/Sash	25mm
Profile Depth	Frame/Sash	130mm
Depth of glass groove		16mm
Glass Thickness		6mm

PERFORMANCE

Thermal Insulation	$U \leq 4.4$
Acoustic Performance	W/m2K
Air Tightness	$\leq 35\text{dB}$
Wind Load Resistance	0.4
Water Penetration	$\geq 0.5\text{Kpa}$
Security Level	150 pa

SP65T

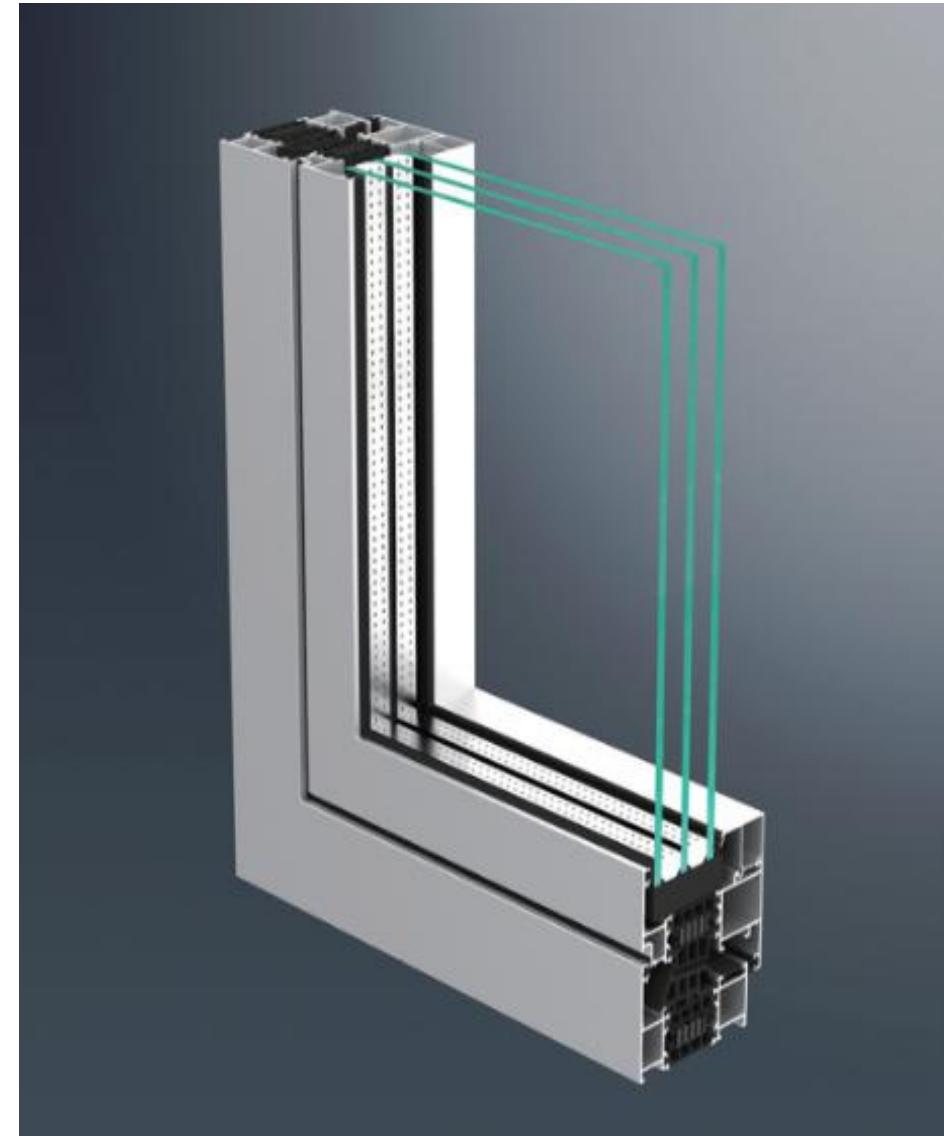
Awning
Casement
SUPER SERIES



SP65T system is excellent heat insulating function, through the adoption of 24mm thermal insulation aluminum profile, it could keep the U-value less than 1.6 W/m.K. It could not only satisfy users' strict requirement on physical function, but also realize varopis segmentations of windows and doors. It is popular on North American Area.

SP80T

Awning
Casement
STAR SERIES



P80 system is excellent heat insulating function, through the adoption of 39mm thermal insulation aluminum profile, it could keep the U-value less than 1.1w/m.k. It could not only satisfy users strict requirement on physical function. Comply with AAMA CSA WDMA 101/I.S.2/A440-11.

TECHNICAL DATA

Visible width (Outside)	Frame/Sash	30m
Profile Depth	Frame/Sash	m
Depth of glass groove		65m
Glass Thickness		m
		27m
		m

PERFORMANCE

Thermal Insulation	$U \leq 1.6$	48m
Acoustic Performance	W/m2K	m
Air Tightness	$\leq 45\text{dB}$	
Wind Load Resistance	0.4	
Water Penetration	$\geq 0.5\text{Kpa}$	
Security Level	900 pa	

TECHNICAL DATA

Visible width (Outside)	Frame/Sash	30m
Profile Depth	Frame/Sash	m
Depth of glass groove		79m
Glass Thickness		m
		27m
		m

PERFORMANCE

Thermal Insulation	$U \leq 1.4$	61m
Acoustic Performance	W/m2K	m
Air Tightness	$\leq 45\text{dB}$	
Wind Load Resistance	0.4	
Water Penetration	$\geq 0.5\text{Kpa}$	
Security Level	900 pa	

SP146

SLIM SLIDING
DOOR SPECIAL LINE



SP80T

HINGE DOOR
STAR SERIES



P80 system is excellent heat insulating function, which belong to our star system with very high quality and with kick plate. It could realized inwards opening, outwards opening, low threshold and high threshold. Also there are different kinds of hardware for choose and it could meet C and U groove with multi point locking system.

TECHNICAL DATA

Visible width (Outside)	Frame/Sash	50m
Profile Depth	Frame/Sash	m
Depth of glass groove		80m
Glass Thickness		m
		27m

PERFORMANCE

Thermal Insulation	U≤1.4	48m
Acoustic Performance	W/m2K	m
Air Tightness	≤45dB	
Wind Load Resistance	0.4	
Water Penetration	≥0.5Kpa	
Security Level	600 pa	

SP75T

BI-FOLDING
DOOR STAR
SERIES

SP75T bifold doors, or folding sliding doors if you prefer, are a modern and innovative design statement that can transform an ordinary room and make it a feature of the house. It can be low threshold and high threshold. Available in a number of configurations using between 2 and 8 door leaves.



TECHNICAL DATA

Visible width (Outside)	Frame/Sash	36m
Profile Depth	Frame/Sash	m
Depth of glass groove		75m
Glass Thickness		m
		29m
		m

PERFORMANCE

Thermal Insulation	$U \leq 2.4$	51m
Acoustic Performance	W/m ² K	m
Air Tightness		$\leq 45\text{dB}$
Wind Load Resistance		0.4
Water Penetration		$\geq 0.5\text{Kpa}$
Security Level		600 pa

SP153T

Lift&Sliding door
STAR SERIES

SP153T system is a sliding and lift&sliding door with excellent thermal insulation. The perfect design max. glass area and enhances comfort, which system has a small threshold scheme to facilitate access to building. The lift and sliding door can accommodate large size glass door and bear up to 400kg which meets the requirement of anti theft performance.



TECHNICAL DATA

Visible width (Outside)	Frame/Sash	64mm
Profile Depth	Frame/Sash	153mm
Depth of glass groove		26mm
Glass Thickness		53mm

PERFORMANCE

Thermal Insulation	$U \leq 1.6\text{W/m}^2$
Acoustic Performance	$K \leq 45\text{dB}$
Air Tightness	0.4
Wind Load Resistance	$\geq 0.5\text{Kpa}$
Water Penetration	600 pa
Security Level	



SP239T

Lift&Sliding door
STAR SERIES



SP239T system is a sliding and lift&sliding door with excellent thermal insulation. The perfect design maximizes glass area and enhances comfort, which system has a small threshold scheme to facilitate access to building. The lift and sliding door can accommodate large size glass door and bear up to 400kg which meets the requirement of anti theft performance.

TECHNICAL DATA

Visible width (Outside)	Frame/Sash	64mm
Profile Depth	Frame/Sash	239mm
Depth of glass groove		26mm
Glass Thickness		53mm

PERFORMANCE

Thermal Insulation	$U \leq 1.6 \text{ W/m}^2$
Acoustic Performance	$K \leq 45 \text{ dB}$
Air Tightness	0.4
Wind Load Resistance	$\geq 0.5 \text{ Kpa}$
Water Penetration	600 pa
Security Level	